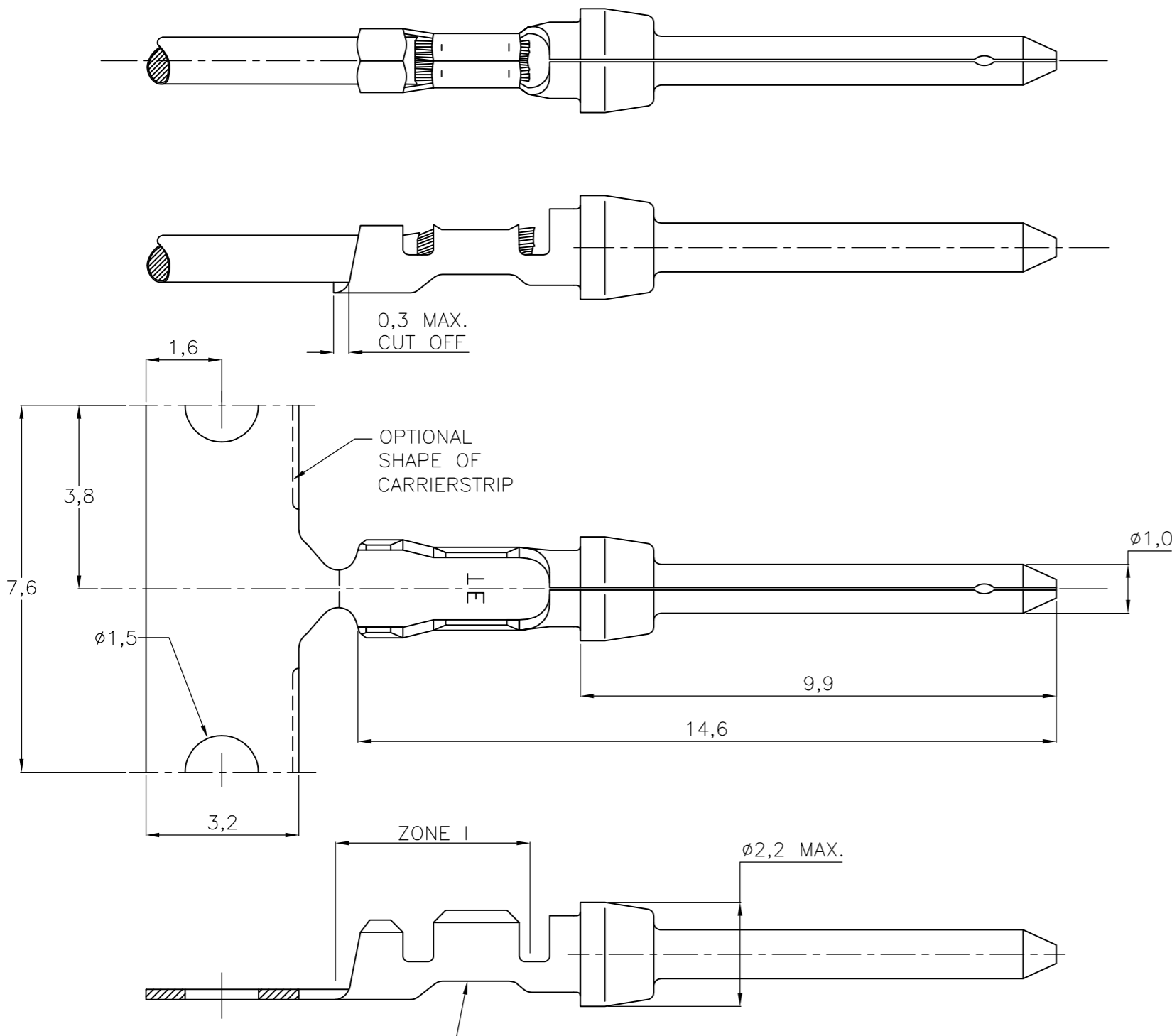


THIS DRAWING IS UNPUBLISHED. RELEASED FOR PUBLICATION
 © COPYRIGHT BY TYCO ELECTRONICS CORPORATION. ALL INTERNATIONAL RIGHTS RESERVED.

LOC	DIST	REVISIONS			
P	LTR	DESCRIPTION	DATE	DWN	APVD
	Y	ECR-08-023872	17-10-08	AEG	KMA

- NOTES:
- △1 FOR MINI-APPLICATOR-12500 PCS REEL.
 - △2 FOR REEL-FEED HAND TOOLING-500 PCS REEL.
 - △3 FOR HAND TOOLING- LOOSE PIECE.
 - 4. MATERIAL: PHOSPHORBRONZE.
 - △5 FINISH:
 - Ni UNDERPLATING ALL OVER.
 - CONTACT AREA PLATING MEETS IEC-807-3 PERFORMANCE LEVEL 2.
 - CRIMP ZONE Sn PLATED.



WIRE RANGE: 24-20 AWG(0,56-0,20mm²)
 INSUL. RANGE: 1,27 - 1,52 DIA.

△5	166293-1	5-166053-1	166053-1
FINISH	LOOSE PIECE △3	PART NUMBER △2	PART NUMBER △1
DWN	-	Tyco Electronics Corporation 's-Hertogenbosch, Nederland	
CHK	K. MALCZYK 09SEP08	NAME	
APVD	T. DE BOER 09SEP08	PIN CONTACT, SIZE 20 DF.	
PRODUCT SPEC	108-40005	SIZE	CAGE CODE
APPLICATION SPEC	114-10000	DRAWING NO	RESTRICTED TO
WEIGHT	-	A3 00779	© 166053
CUSTOMER DRAWING		SCALE	SHEET
		NTS	1 OF 1
		REV	Y

THIS DRAWING IS A CONTROLLED DOCUMENT.

DIMENSIONS:	TOLERANCES UNLESS OTHERWISE SPECIFIED:
mm	
	0 PLC ± -
	1 PLC ± 0,127
	2 PLC ± -
	3 PLC ± -
	4 PLC ± -
	ANGLES ± -
MATERIAL	FINISH
-	-